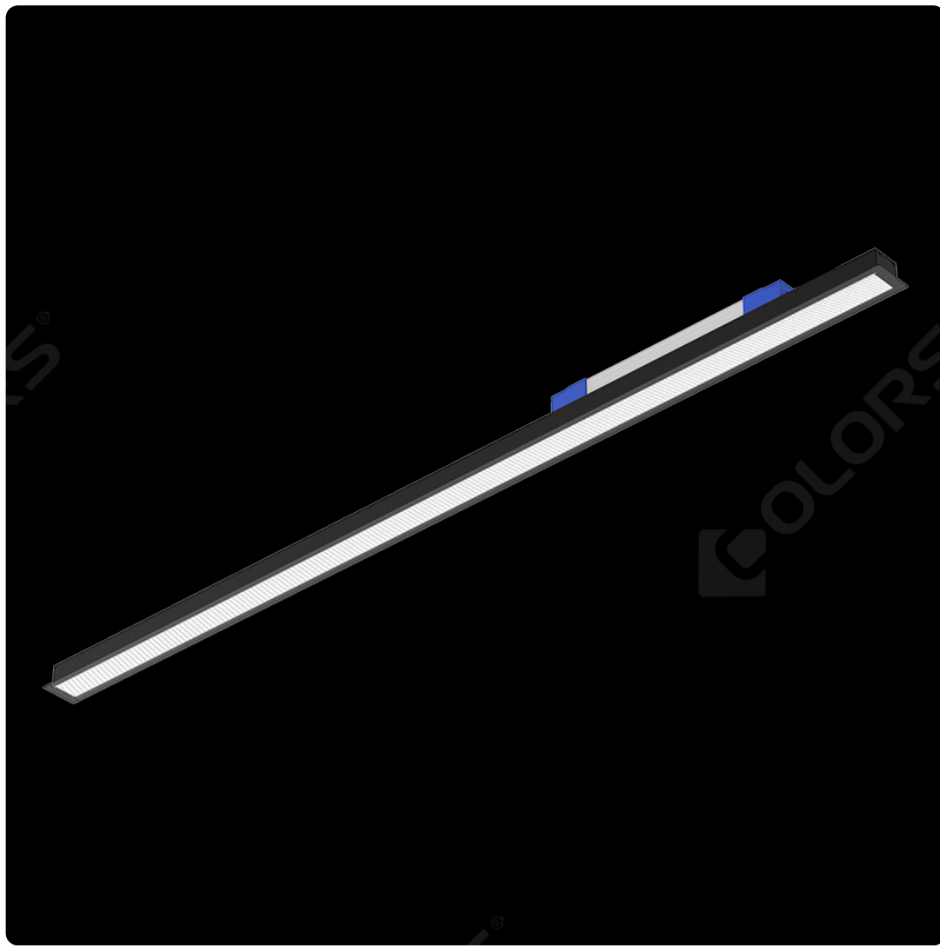


LINE ECO Recessed

LE35FP-V2





LE35FP-V2

Basic Parameters

Material	AL6063-T5,spraying surface
IP Grade	IP20
Warranty	5 years

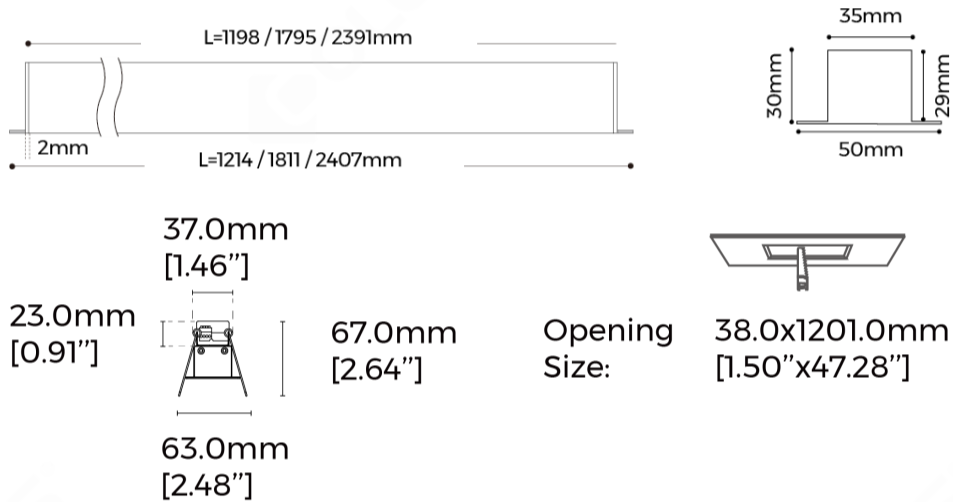
Electrical Parameters

Input Voltage	AC220-240V
Control	Non-Dimming,1-10V Dimming,DALI Dimming

Optical Parameters

Version	Regular,High efficiency,Regular-3 CCT Dial Switch,High efficiency-3 CCT Dial Switch
SDCM	<3 Step (ANSI)
Length	1200mm,1800mm,2400mm
CRI	>80,>90
CCT	2700K,3000K,4000K,6500K,3000K-4200K-6500K
Luminous Efficacy	95LM/W(Regular),85LM/W(Regular-3CT Dial switch) 120LM/W(High efficiency),100LM/W(High efficiency-3CCT Dial switch)

Dimensions



Luminaire Parameters

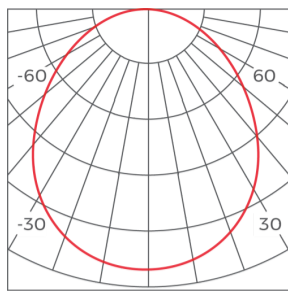
Version	Length	Type Power (W)	PCB Current(A)	CRI	CCT	Lumens(LM) @White, Sliver	Lumens(LM) @Black
Regular	1200mm	22W	0.5	>80	4000K	2090	1881
Regular	1800mm	33W	0.75	>80	4000K	3135	2821
Regular	2400mm	44W	1	>80	4000K	4180	3762
Regular	1200mm	22W	0.5	>90	4000K	1797	1617
Regular	1800mm	33W	0.75	>90	4000K	2696	2426
Regular	2400mm	44W	1	>90	4000K	3594	3235
High-Efficiency	1200mm	22W	0.5	>80	4000K	2640	2376
High-Efficiency	1800mm	33W	0.75	>80	4000K	3960	3564
High-Efficiency	2400mm	44W	1	>80	4000K	5280	4752
High-Efficiency	1200mm	22W	0.5	>90	4000K	2428	2185
High-Efficiency	1800mm	33W	0.75	>90	4000K	3643	3278
High-Efficiency	2400mm	44W	1	>90	4000K	4857	4371
Regular-3 CCT Dial Switch	1200mm	22W	0.5	>80	3000K-4200K-6500K	1650/1870/1760	1485/1683/1584
Regular-3 CCT Dial Switch	1800mm	33W	0.75	>80	3000K-4200K-6500K	2475/2805/2640	2228/2524/2376
Regular-3 CCT Dial Switch	2400mm	44W	1	>80	3000K-4200K-6500K	3300/3740/3520	2970/3366/3168
Regular-3 CCT Dial Switch	1200mm	22W	0.5	>90	3000K-4200K-6500K	1419/1608/1513	1277/1447/1362
Regular-3 CCT Dial Switch	1800mm	33W	0.75	>90	3000K-4200K-6500K	2129/2412/2270	1916/2171/2043

Regular-3 CCT Dial Switch	2400mm	44W	1	>90	3000K-4200K-6500K	2838/3216/3027	2554/2894/2724
High efficiency-3 CCT Dial Switch	1200mm	22W	0.5	>80	3000K-4200K-6500K	2090/2200/2200	1881/1980/1980
High efficiency-3 CCT Dial Switch	1800mm	33W	0.75	>80	3000K-4200K-6500K	3135/3300/3300	2822/2970/2970
High efficiency-3 CCT Dial Switch	2400mm	44W	1	>80	3000K-4200K-6500K	4180/4400/4400	3762/3960/3960
High efficiency-3 CCT Dial Switch	1200mm	22W	0.5	>90	3000K-4200K-6500K	1797/1892/1892	1618/1702/1702
High efficiency-3 CCT Dial Switch	1800mm	33W	0.75	>90	3000K-4200K-6500K	2696/2838/2838	2426/2554/2554
High efficiency-3 CCT Dial Switch	2400mm	44W	1	>90	3000K-4200K-6500K	3594/3784/3784	3235/3406/3406
Regular	1200mm	22W	0.5	>80	2700K	1776	1598
Regular	1800mm	33W	0.75	>80	2700K	2664	2398
Regular	2400mm	44W	1	>80	2700K	3553	3197
Regular	1200mm	22W	0.5	>90	2700K	1527	1375
Regular	1800mm	33W	0.75	>90	2700K	2291	2062
Regular	2400mm	44W	1	>90	2700K	3055	2750
High-Efficiency	1200mm	22W	0.5	>80	2700K	2508	2257
High-Efficiency	1800mm	33W	0.75	>80	2700K	3762	3385
High-Efficiency	2400mm	44W	1	>80	2700K	5016	4514
High-Efficiency	1200mm	22W	0.5	>90	2700K	2307	2076
High-Efficiency	1800mm	33W	0.75	>90	2700K	3461	3114
High-Efficiency	2400mm	44W	1	>90	2700K	4614	4153
Regular	1200mm	22W	0.5	>80	3000K	1881	1692
Regular	1800mm	33W	0.75	>80	3000K	2821	2539
Regular	2400mm	44W	1	>80	3000K	3762	3385
Regular	1200mm	22W	0.5	>90	3000K	1617	1455
Regular	1800mm	33W	0.75	>90	3000K	2426	2183
Regular	2400mm	44W	1	>90	3000K	3235	2911
High-Efficiency	1200mm	22W	0.5	>80	3000K	2640	2376
High-Efficiency	1800mm	33W	0.75	>80	3000K	3960	3564
High-Efficiency	2400mm	44W	1	>80	3000K	5280	4752
High-Efficiency	1200mm	22W	0.5	>90	3000K	2428	2185
High-Efficiency	1800mm	33W	0.75	>90	3000K	3643	3278
High-Efficiency	2400mm	44W	1	>90	3000K	4840	4356
Regular	1200mm	22W	0.5	>80	6500K	2090	1881
Regular	1800mm	33W	0.75	>80	6500K	3135	2821
Regular	2400mm	44W	1	>80	6500K	4180	3762
Regular	1200mm	22W	0.5	>90	6500K	1797	1617
Regular	1800mm	33W	0.75	>90	6500K	2696	2426
Regular	2400mm	44W	1	>90	6500K	3608	3247
High-Efficiency	1200mm	22W	0.5	>80	6500K	2640	2376
High-Efficiency	1800mm	33W	0.75	>80	6500K	3960	3564
High-Efficiency	2400mm	44W	1	>80	6500K	5280	4752
High-Efficiency	1200mm	22W	0.5	>90	6500K	2428	2185
High-Efficiency	1800mm	33W	0.75	>90	6500K	3643	3278
High-Efficiency	2400mm	44W	1	>80	6500K	4840	4356

1. The output data is based on the testing result of Ra80,4000k,white luminaires;
2. The tolerance of output data can be vary up to 10%;
3. The output data is typical value;

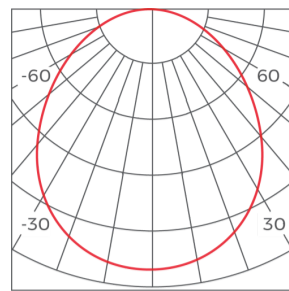
Light Distribution

Regular-90°



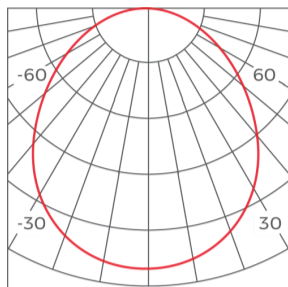
h(m)	D(cm)	E(lx)
1	201	1120
2	403	279
3	605	124
4	807	69

High efficiency-90°



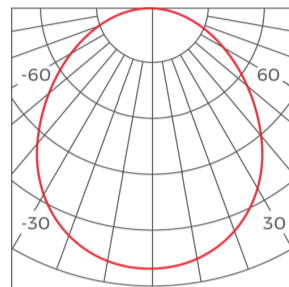
h(m)	D(cm)	E(lx)
1	201	1341
2	403	335
3	605	149
4	807	83

Regular-3 CCT Dial Switch-90°



h(m)	D(cm)	E(lx)
1	201	960
2	403	240
3	605	106
4	807	60

High efficiency-3 CCT Dial Switch-90°



h(m)	D(cm)	E(lx)
1	201	1102
2	403	275
3	605	122
4	807	68

*The above data is based on a white coated, 1200mm length lamp with Ra80,4000K.

Packing

Size (mm/box)	Quantity /box	QTY/CTN	NW (kg/box)	N. WT (ctn)	G.WT (ctn)	Size (cm/carton)	Product Size (mm)
L1218*W75*H71	1	6	1.15	6.9	8.22	123*21.9*15.4	1214*63*67mm
L1815*W75*H71	1	6	1.725	10.35	12.36	183*21.9*15.4	1811*63*67mm
L2407*W75*H71	1	6	2.3	13.8	16.44	242*21.9*15.4	2407*63*67mm

Attentions

1. Non-professionals are prohibited from installing, disassembling and repairing the product.
2. Avoid scratching, distortion and irregular bending of the product during installation; otherwise it may cause irreparable damage to the product.
3. Please use professional cutting tools when cutting.
4. Do not use any acid or alkaline adhesive to fix products.
5. The product is only suitable for indoor dry places, can not be used in outdoor, seaside or wet environment.
6. PC features: Each 10°C rise or drop will make diffuser extend or shrink 0.8mm/m, please confirm before processing and use.